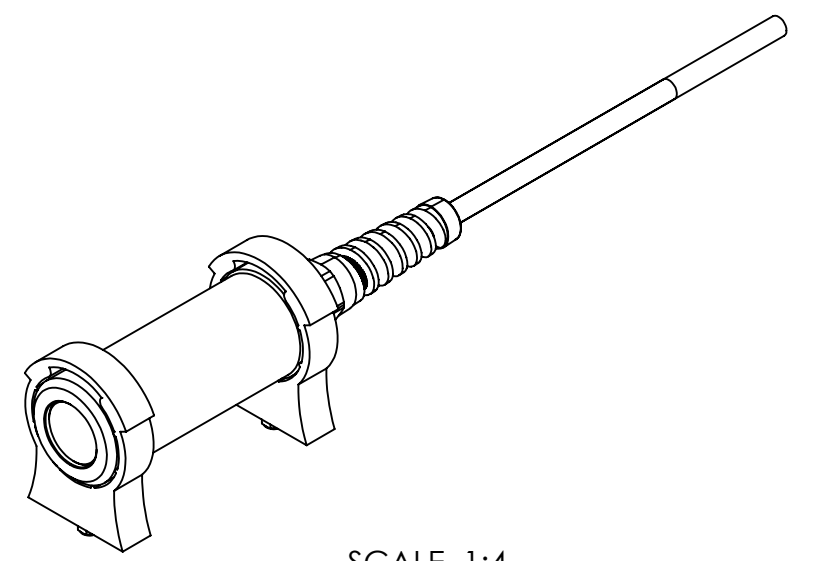
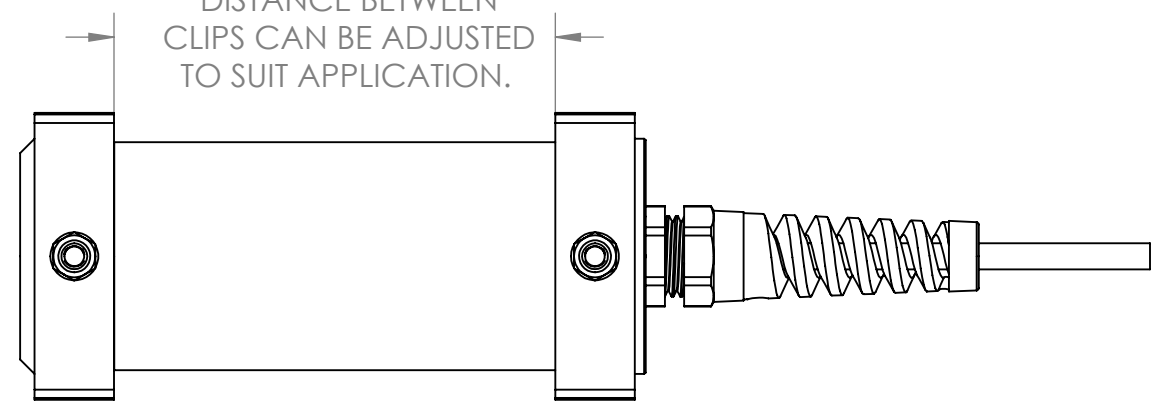


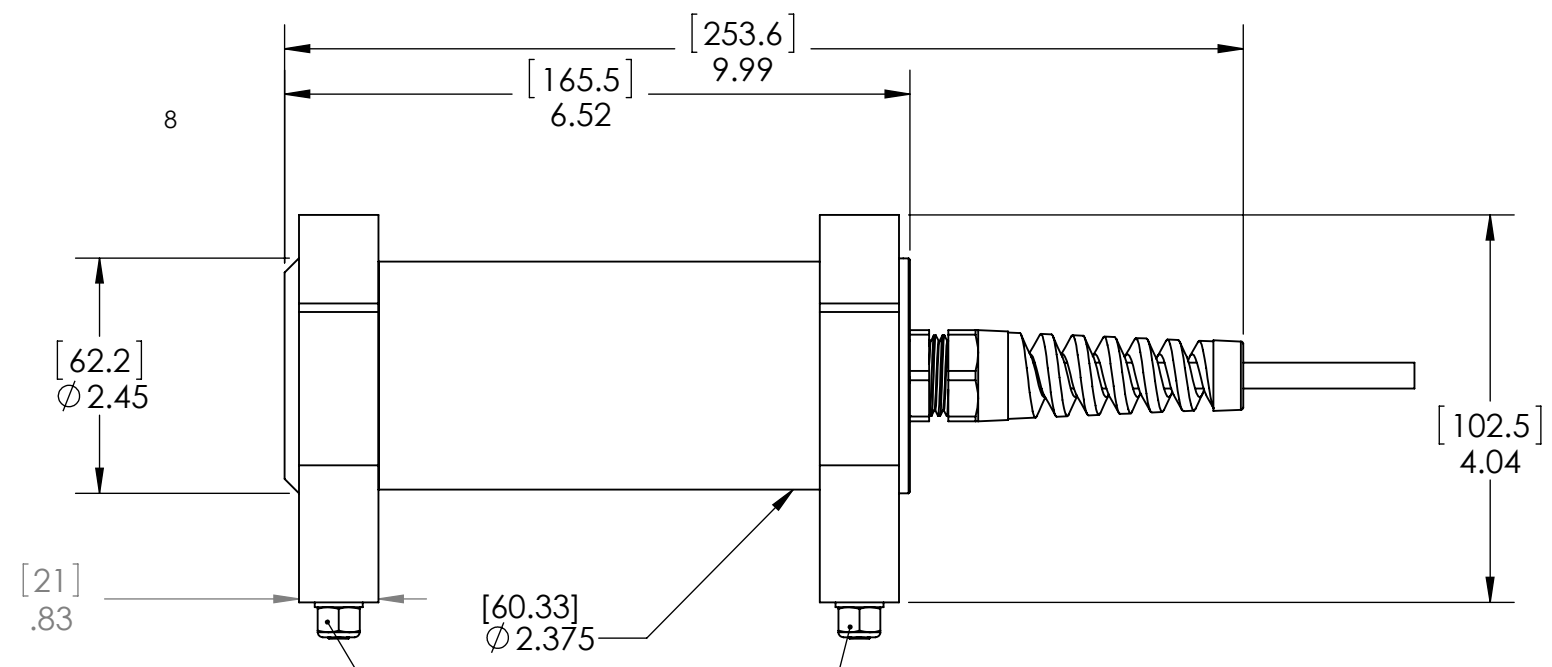
8 7 6 5 4 3 2 1

PROPRIETARY AND CONFIDENTIAL
 THE INFORMATION CONTAINED IN THIS DRAWING IS THE SOLE PROPERTY OF SUBAQUA IMAGING SYSTEMS INC. ANY REPRODUCTION IN PART OR AS A WHOLE WITHOUT THE WRITTEN PERMISSION OF SUBAQUAIMAGING SYSTEMS IS PROHIBITED.

DISTANCE BETWEEN CLIPS CAN BE ADJUSTED TO SUIT APPLICATION.



SCALE 1:4



2X #10 BOLTS. LENGTH CAN BE ADJUSTED TO SUIT APPLICATION.

PERMANENTLY ATTACHED CABLE

UNLESS OTHERWISE SPECIFIED:
 *** ALL DIMENSIONS ARE **POST ANODIZE OR PLATING** ***
 DIMENSIONS ARE IN INCHES [MM]
 TOLERANCES:
 LINEAR: 0.XX ±.020
 DIAMETER: 0.XX ±.01
 LINEAR: 0.XXX ±.005
 DIAMETER: 0.XXX ±.002
 HOLES: ±.003
 FRACTIONAL ± 1/64
 ANGULAR: ±.5°
 SURFACE FINISH ALL SURFACE FINISH SEALS REMOVE ALL SHARP EDGES AND BURRS

CAGE CODE: 6JFR2

FILE NAME
 Z:\705_Custom-Housings\008 HD Relay\705-008-003_Camera_ASSY-05

MATERIAL	SEE BOM	
FINISH	ORIG ENG	R. GRAY 101610
	ORIG DWG	R. GRAY 110410
	LAST UPDATE	Ronan 3/30/2017
	REL TO PROD	R. GRAY 122110
DO NOT SCALE DRAWING		

SUBAQUA
 IMAGING SYSTEMS INC

SubAqua Imaging Systems, Inc
 1134 Opal Street, San Diego, CA
 92109, USA
 (858) 414 0383
 www.subaquaimaging.com

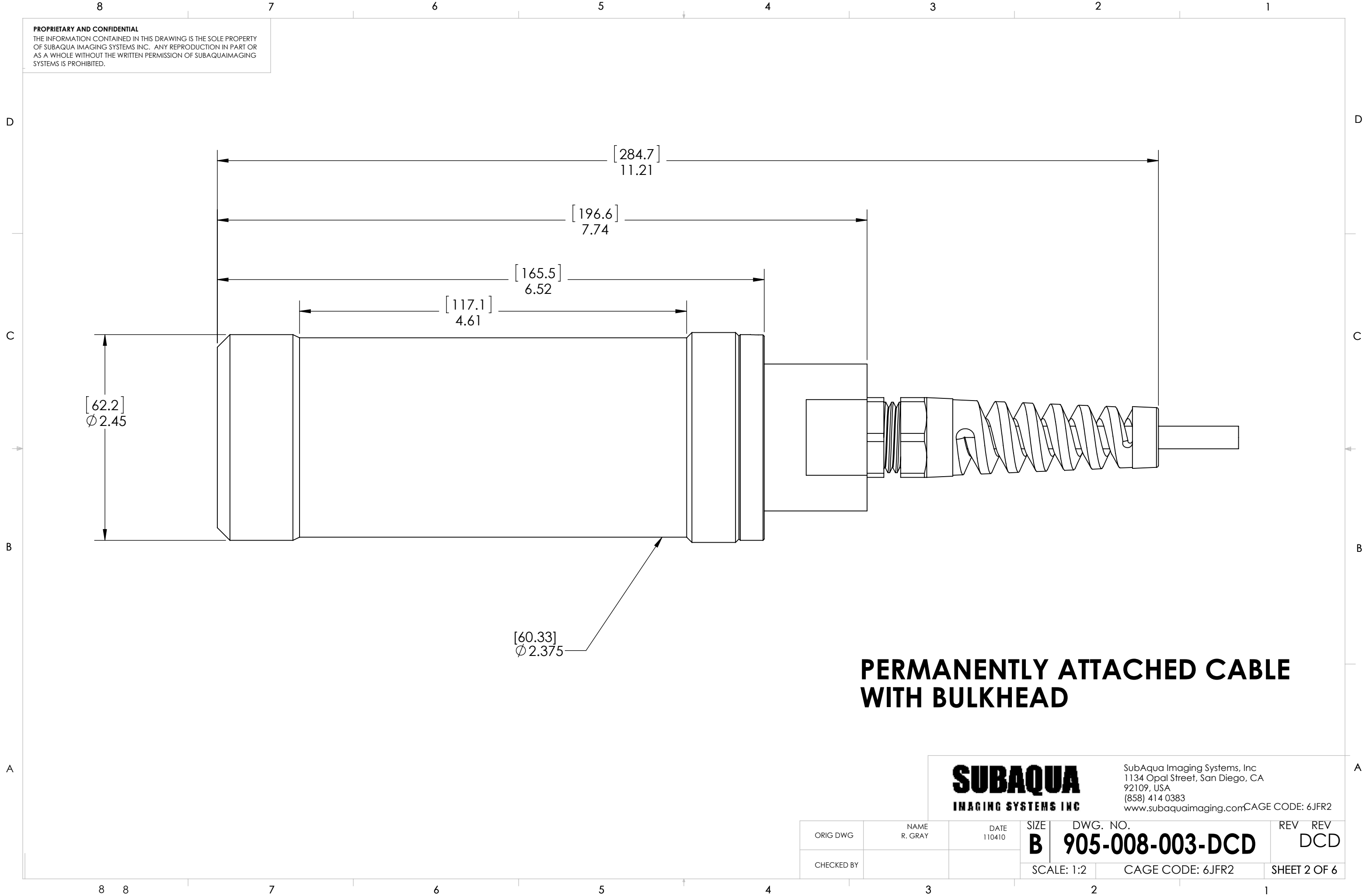
TITLE:		SAIS IP CAM PERM CABLE	
SIZE	DWG. NO.	REV	
B	905-008-003-DCD	DCD	
SCALE: 1:2		WEIGHT:	SHEET 1 OF 6

D
C
B
A

D
C
B
A

7 6 5 4 3 2 1

PROPRIETARY AND CONFIDENTIAL
 THE INFORMATION CONTAINED IN THIS DRAWING IS THE SOLE PROPERTY
 OF SUBAQUA IMAGING SYSTEMS INC. ANY REPRODUCTION IN PART OR
 AS A WHOLE WITHOUT THE WRITTEN PERMISSION OF SUBAQUAIMAGING
 SYSTEMS IS PROHIBITED.



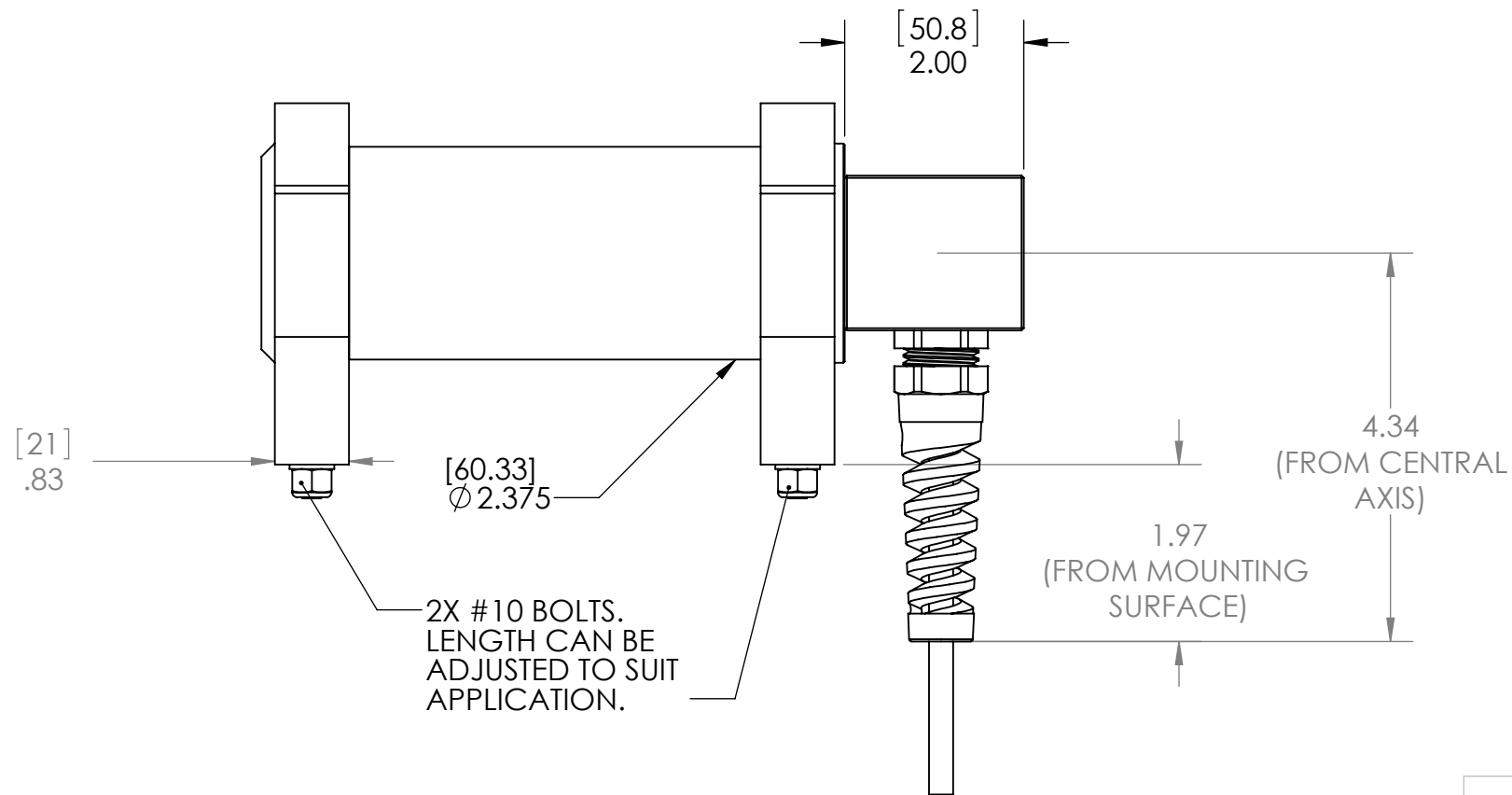
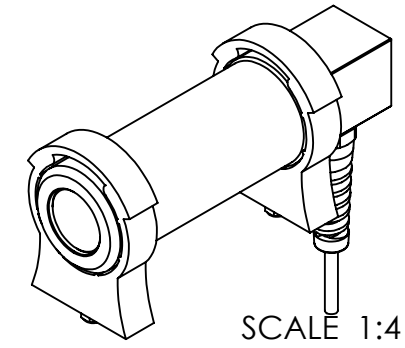
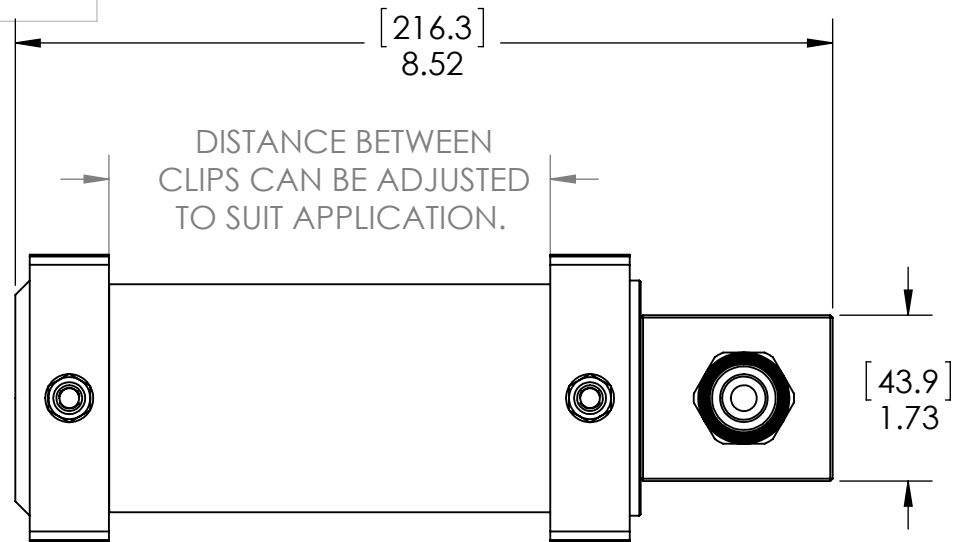
**PERMANENTLY ATTACHED CABLE
 WITH BULKHEAD**

SUBAQUA
 IMAGING SYSTEMS INC

SubAqua Imaging Systems, Inc
 1134 Opal Street, San Diego, CA
 92109, USA
 (858) 414 0383
 www.subaquaimaging.com CAGE CODE: 6JFR2

ORIG DWG	NAME R. GRAY	DATE 110410	SIZE B	DWG. NO. 905-008-003-DCD	REV DCD
CHECKED BY			SCALE: 1:2	CAGE CODE: 6JFR2	SHEET 2 OF 6

PROPRIETARY AND CONFIDENTIAL
 THE INFORMATION CONTAINED IN THIS DRAWING IS THE SOLE PROPERTY
 OF SUBAQUA IMAGING SYSTEMS INC. ANY REPRODUCTION IN PART OR
 AS A WHOLE WITHOUT THE WRITTEN PERMISSION OF SUBAQUAIMAGING
 SYSTEMS IS PROHIBITED.



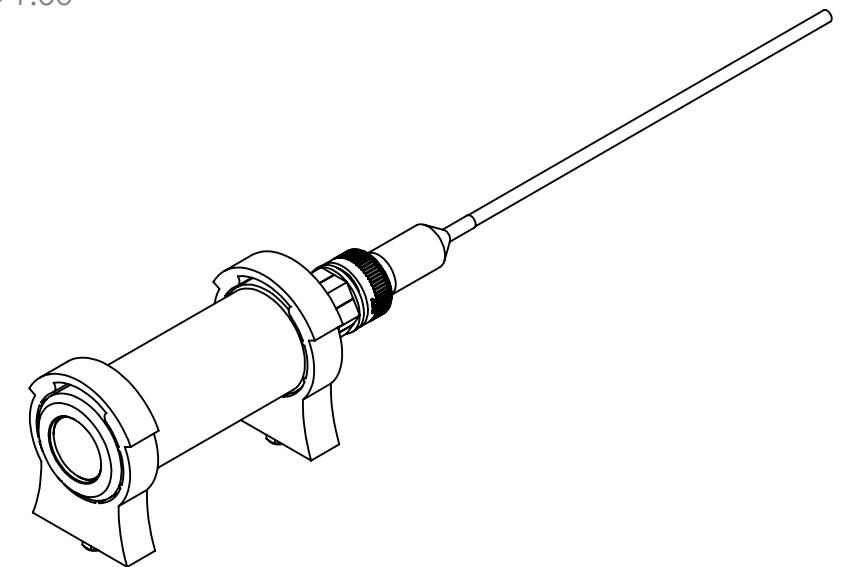
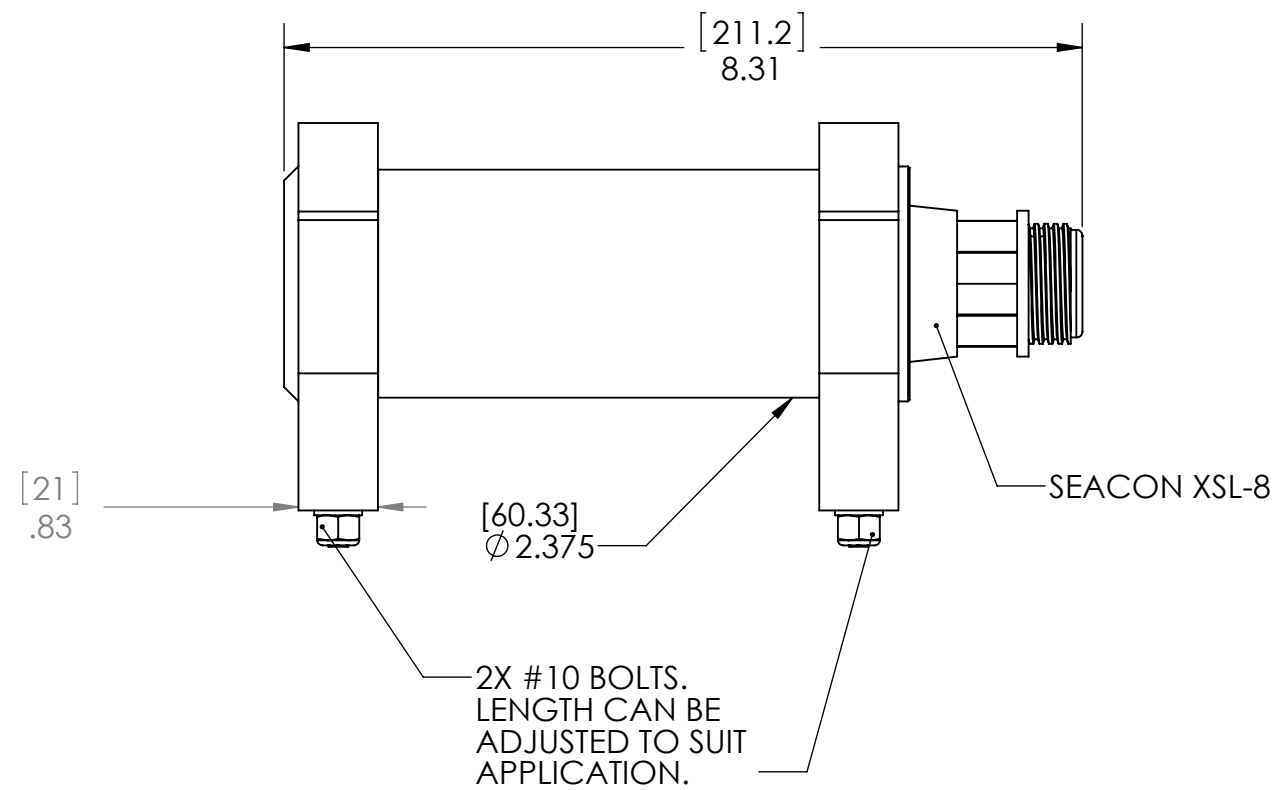
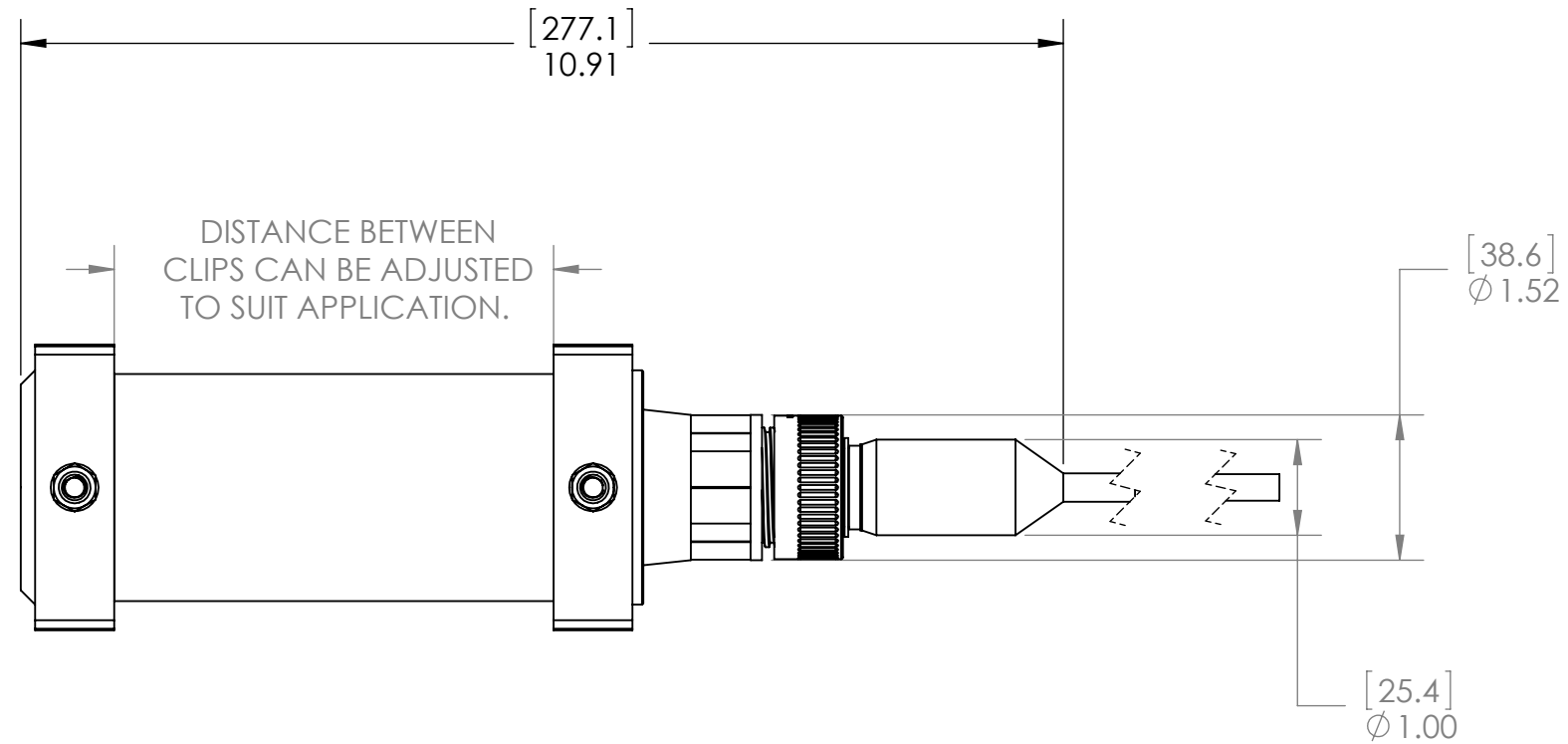
PERMANENTLY ATTACHED CABLE WITH RIGHT-ANGLE (R/A) BULKHEAD

SUBAQUA
 IMAGING SYSTEMS INC

SubAqua Imaging Systems, Inc
 1134 Opal Street, San Diego, CA
 92109, USA
 (858) 414 0383
 www.subaquaimaging.com

ORIG DWG	R. GRAY	110410	SIZE B	DWG. NO. 905-008-003-DCD	REV DCD
CHECKED BY			SCALE: 1:2	CAGE CODE: 6JFR2	SHEET 3 OF 6

PROPRIETARY AND CONFIDENTIAL
 THE INFORMATION CONTAINED IN THIS DRAWING IS THE SOLE PROPERTY
 OF SUBAQUA IMAGING SYSTEMS INC. ANY REPRODUCTION IN PART OR
 AS A WHOLE WITHOUT THE WRITTEN PERMISSION OF SUBAQUAIMAGING
 SYSTEMS IS PROHIBITED.



SCALE 1:4

DRY MATE U/W CONNECTOR PAIR

SUBAQUA
 IMAGING SYSTEMS INC

SubAqua Imaging Systems, Inc
 1134 Opal Street, San Diego, CA
 92109, USA
 (858) 414 0383
 www.subaquaimaging.com

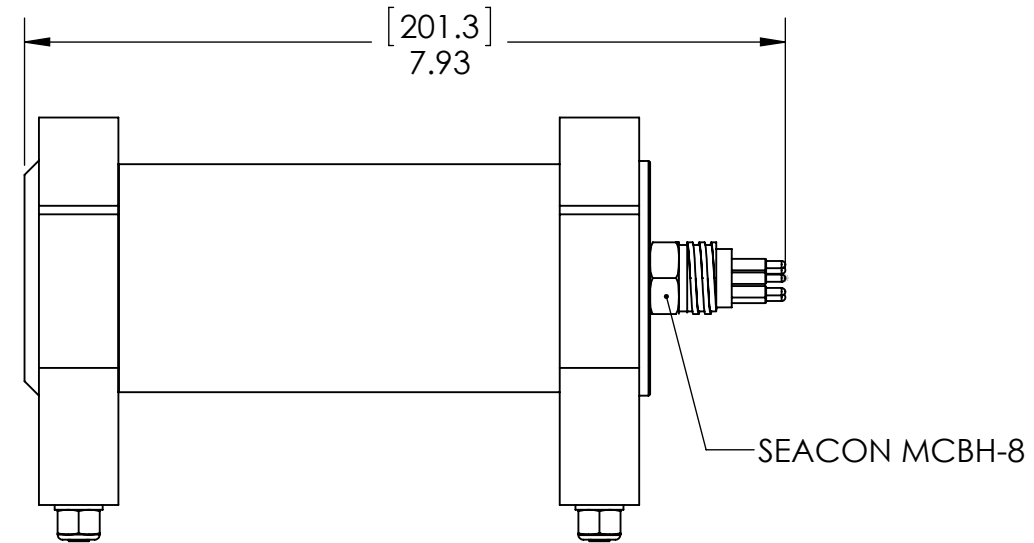
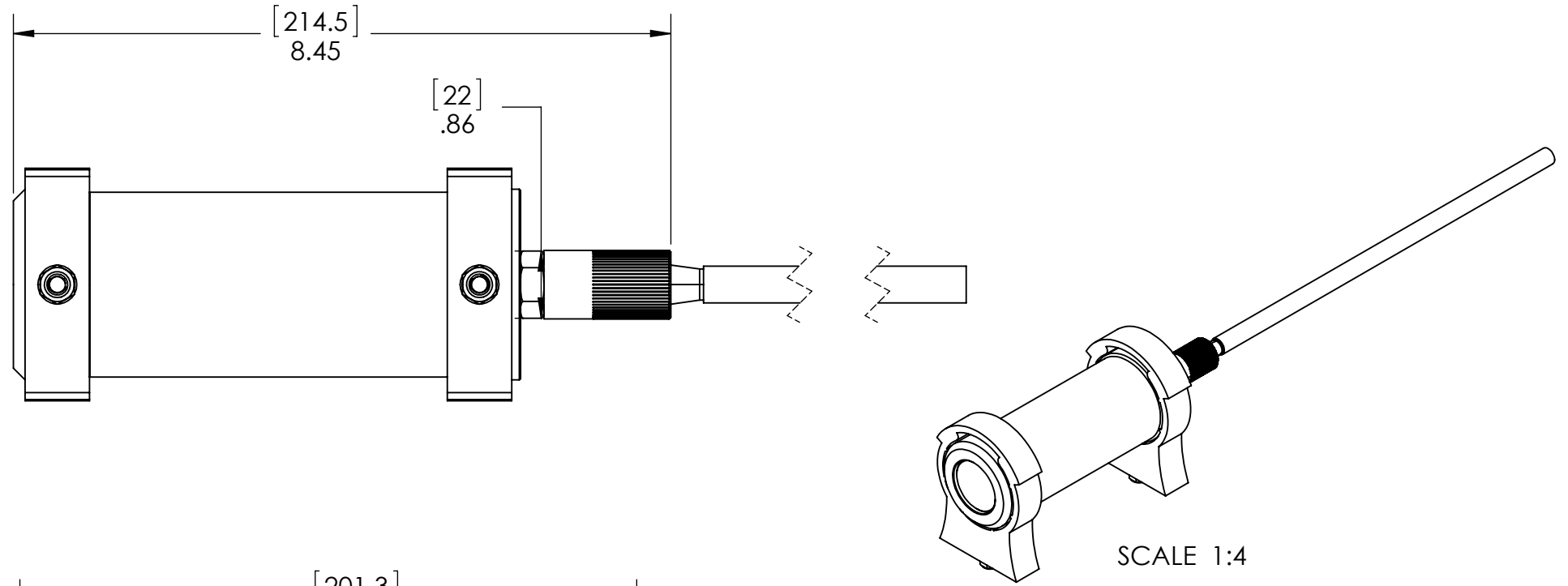
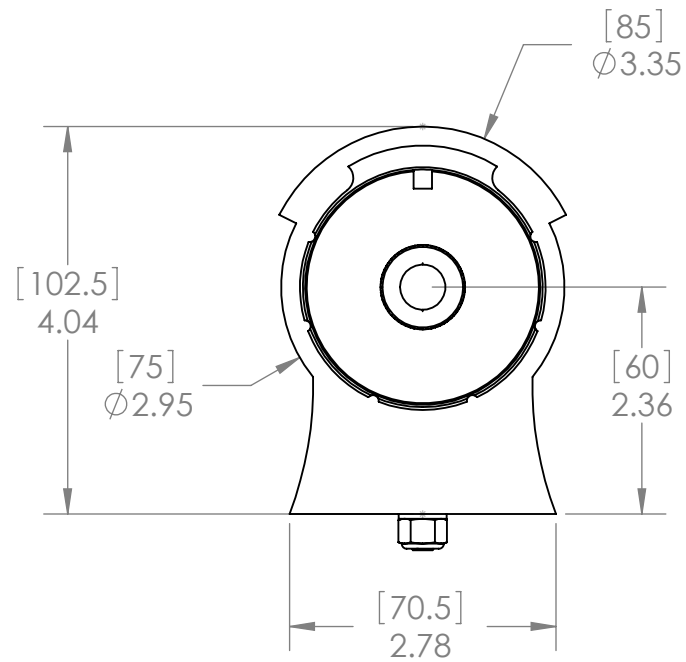
ORIG DWG	R. GRAY	110410	SIZE B	DWG. NO. 905-008-003-DCD	REV DCD
CHECKED BY			SCALE: 1:2	CAGE CODE: 6JFR2	SHEET 4 OF 6

PROPRIETARY AND CONFIDENTIAL
 THE INFORMATION CONTAINED IN THIS DRAWING IS THE SOLE PROPERTY OF SUBAQUA IMAGING SYSTEMS INC. ANY REPRODUCTION IN PART OR AS A WHOLE WITHOUT THE WRITTEN PERMISSION OF SUBAQUAIMAGING SYSTEMS IS PROHIBITED.

D

C

B



WET MATE U/W CONNECTOR PAIR

SUBAQUA
 IMAGING SYSTEMS INC

SubAqua Imaging Systems, Inc
 1134 Opal Street, San Diego, CA
 92109, USA
 (858) 414 0383
 www.subaquaimaging.com

ORIG DWG	R. GRAY	110410	SIZE B	DWG. NO. 905-008-003-DCD	REV DCD
CHECKED BY			SCALE: 1:2	CAGE CODE: 6JFR2	SHEET 5 OF 6

8

7

6

5

4

3

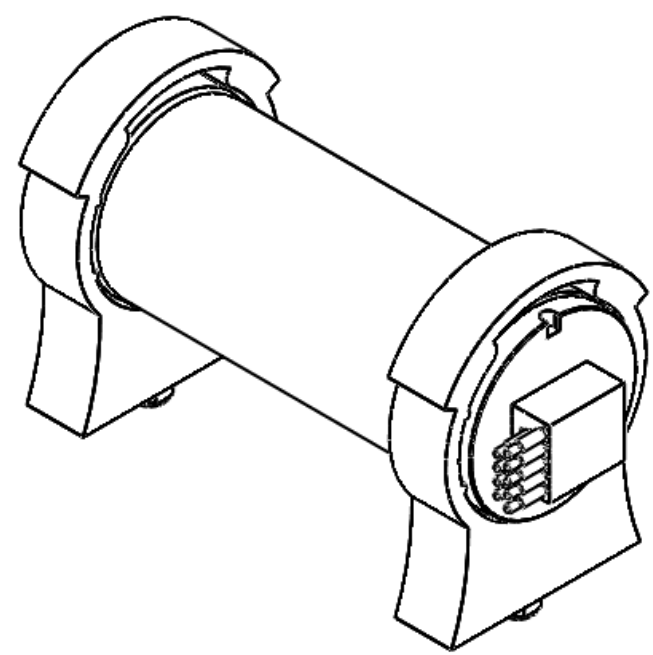
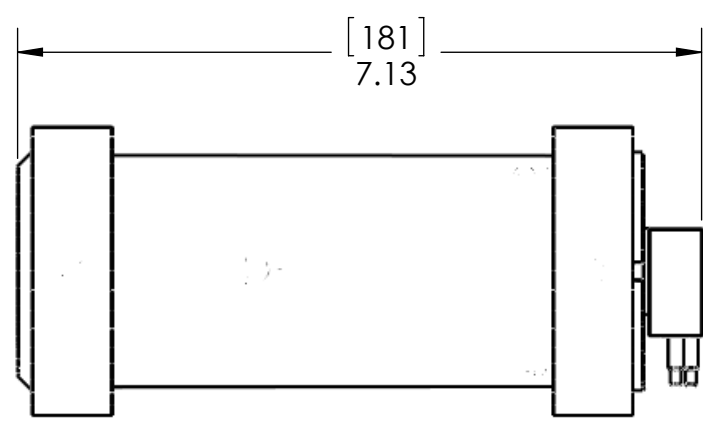
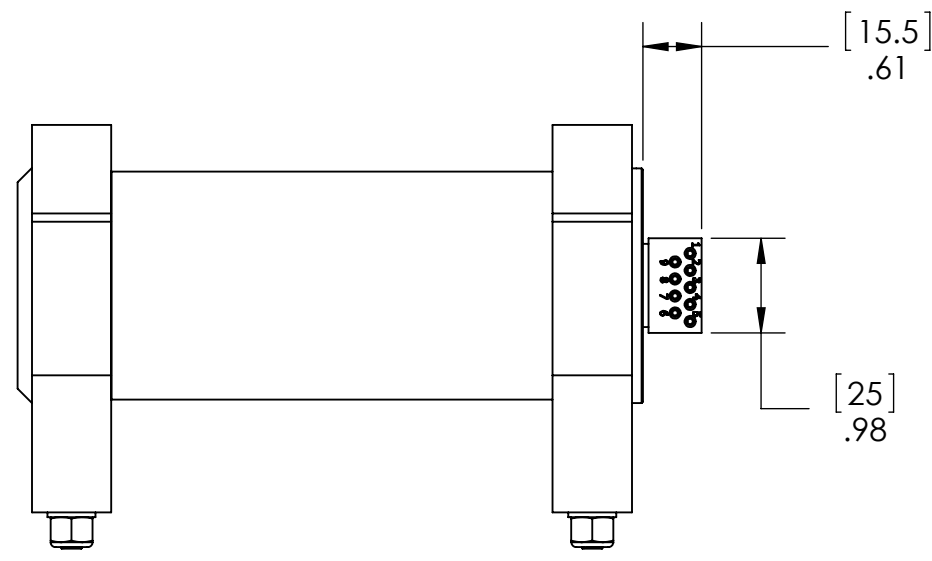
2

1

A

8 7 6 5 4 3 2 1

PROPRIETARY AND CONFIDENTIAL
THE INFORMATION CONTAINED IN THIS DRAWING IS THE SOLE PROPERTY OF SUBAQUA IMAGING SYSTEMS INC. ANY REPRODUCTION IN PART OR AS A WHOLE WITHOUT THE WRITTEN PERMISSION OF SUBAQUAIMAGING SYSTEMS IS PROHIBITED.



LOW-PROFILE WET MATE U/W CONNECTOR

SUBAQUA
IMAGING SYSTEMS INC

SubAqua Imaging Systems, Inc
1134 Opal Street, San Diego, CA
92109, USA
(858) 414 0383
www.subaquaimaging.com

ORIG DWG	R. GRAY	110410	SIZE B	DWG. NO. 905-008-003-DCD	REV DCD
CHECKED BY			SCALE: 1:2	CAGE CODE: 6JFR2	SHEET 6 OF 6

8 7 6 5 4 3 2 1